

# MODEL SQB

## BELT DRIVE SQUARE INLINE CENTRIFUGAL DUCT FAN



### MODEL FEATURES

- Exhaust air up to 24,000 CFM in high static pressure applications up to 3-1/2" w.g.
- Belt drives permit easy performance adjustments when needed
- Ideal for applications where space is limited
- Non-overloading backward inclined wheel for efficiency at higher static pressures
- AMCA Air and Sound Licensed
- cULus 705 Listed

### APPLICATION CONSTRUCTION OPTIONS

MODEL NAME	TYPICAL APPLICATIONS
SQB	Removal of clean air in general applications
SQBHP	High Pressure version of SQB

### MODEL OVERVIEW

Model SQB fans are available in sizes 7 through 42, moving from 100 to over 24,000 CFM, with high static pressure capabilities to 3-1/2". SQB units are the perfect selection for clean air applications where space is a leading consideration. The compact housing, with removable access doors (2), can be mounted in any orientation.

### CONSTRUCTION FEATURES AND OPTIONS

Motor mounting plate with integral belt tensioning device.

Heavy-gauge galvanized steel housing (aluminum optional).

Deep spun venturi inlet.

Aluminum non-overloading backward inclined wheel.

Corrosion resistant fasteners.

**Factory Run & Tested**  
Assures dependable operation

**AMCA Seal**  
Assures rating of Sound and Air performance

Open drip-proof motor (many options available).

Adjustable motor sheave.

Cast iron pillow block air handling bearings.

Removable access panels (2) with neoprene gaskets.

Integral inlet and outlet duct flanges.

Removable drive and bearing covers.

**UL Label**  
For electrical reliability

Model SQB is available in our Quickship program. Sizes 7-24 are available for next day or 3-day shipping from stock.

**2 year fan housing warranty, 1 year motor warranty**

All specifications are subject to change without notice unless approved in submittal by JencoFan.



## **CONSTRUCTION/SPECIFICATION CHECKLIST**

### **Blower/Housing**

- Aluminum, non-overloading, backward inclined centrifugal wheel statically and dynamically balanced.
- Deep spun venturi inlet.
- Heavy-gauge galvanized steel housing.
- Integral inlet and outlet duct collars.
- Universal mounting - horizontal, vertical, or any angle.
- Motors and drives out of the airstream.
- Removable drive and bearing covers for easy access.
- Easy access to interior of unit with removable side panels (two per unit) with closed cell neoprene gasketing.
- Motor, drives, wheel, shaft, and bearings removable from unit without disconnecting duct.
- Motor mount plate with integral belt tensioning device.

### **Shaft and Bearings**

- Precision turned, ground, and polished steel fan shaft and keyed.
- Self aligning cast iron air handling pillow block bearings with re-lube fitting, double sealed and pre-lubricated, designed for 200,000 hour life, L50.

### **Motor and Drives**

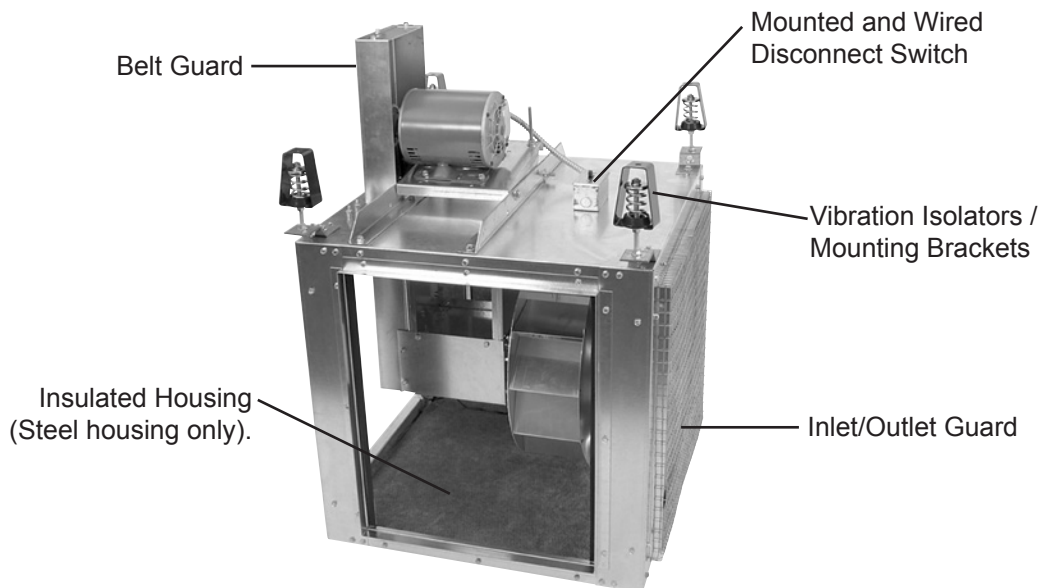
- Permanently sealed ball bearing type motor furnished to the specified voltage, phase, and enclosure.
- Open drip-proof is standard. Two speed, totally enclosed, and explosion proof motors can be specified for most models.
- Drives are specified for a minimum of 150% of driven horsepower. Cast iron motor pulleys are factory set to the required RPM and are adjustable for final system balancing.
- Disconnect switch standard on single speed drip-proof and totally enclosed motors.

### **Certifications**

- AMCA - the AMCA Seal on all units assures certified rating of air and sound performance.
- cULus - most models are available as listed by Underwriters Laboratories under Standard 705 when specified.



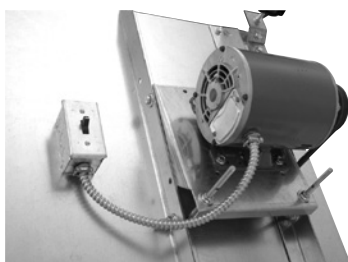
**OPTIONS/ACCESSORIES**



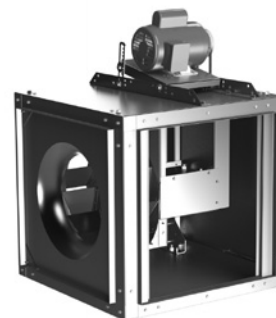
**External Grease Fittings**



**Mounted and Wired Disconnect**



**Side Discharge**



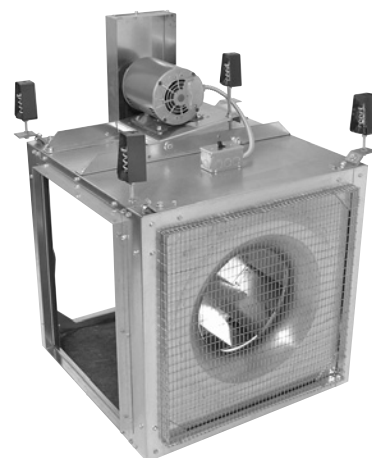
**Belt Guard**



**Motor Cover**



**Inlet/Outlet Guard**





**Hanging Bracket/  
Mounting Foot with  
Hanging Spring Isolator**



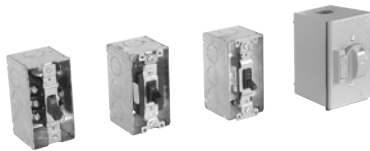
**Hanging Spring Isolators**



**Hanging Rubber in  
Shear Isolators**



**Assorted Disconnects**



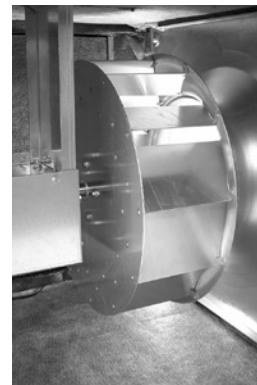
**Heavy-duty Disconnect**



**Backdraft Damper**



**Insulated Housing**



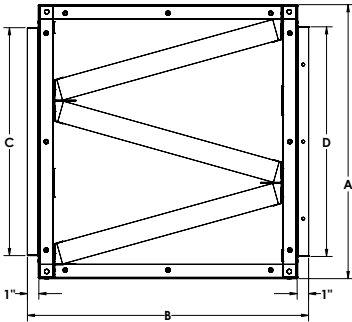


# FILTER BOX OPTIONS



## Features

- Designed for use with SQB Fans
- Designed to handle 1" or 2" filters
- Galvanized or aluminum construction up to size 24
- Galvanized construction sizes 30-42
- Standard filter is washable aluminum
- MERV 7 (1") or MERV 8 (2") disposable pleated filters available by special quote
- Removable side panels for easy access to filters



## Dimensions - Filter Box with 1" Aluminum Filters

Fan Size	Filter Box Dimensions				Avg. Ship Wgt. (lbs)		No. of Filters	1" Filter Nominal Size
	A	B	C	D	Galv.	Alum.		
07-08	25	25	11-7/8	12	28	15	2	15x20x1
10	18	24-1/2	13-7/8	14	35	17	2	16x20x1
12	22	29-1/8	17-7/8	18	48	24	2	20x25x1
15	24	24-5/8	21-7/8	22	47	23	3	20x25x1
18	28	24-5/8	23-7/8	24	62	31	4	20x25x1
20	32	29-1/8	27-7/8	28	72	36	6	16x25x1
24	39	29-1/8	34-7/8	35	96	47	6	20x25x1
30	44	30-3/8	39-7/8	40	131	-	8	20x25x1
36	52	27-1/8	47-7/8	48	149	-	10	20x25x1
42	58	32-1/8	53-7/8	54	180	-	15	20x25x1

## Dimensions - Filter Box with 2" Aluminum Filters

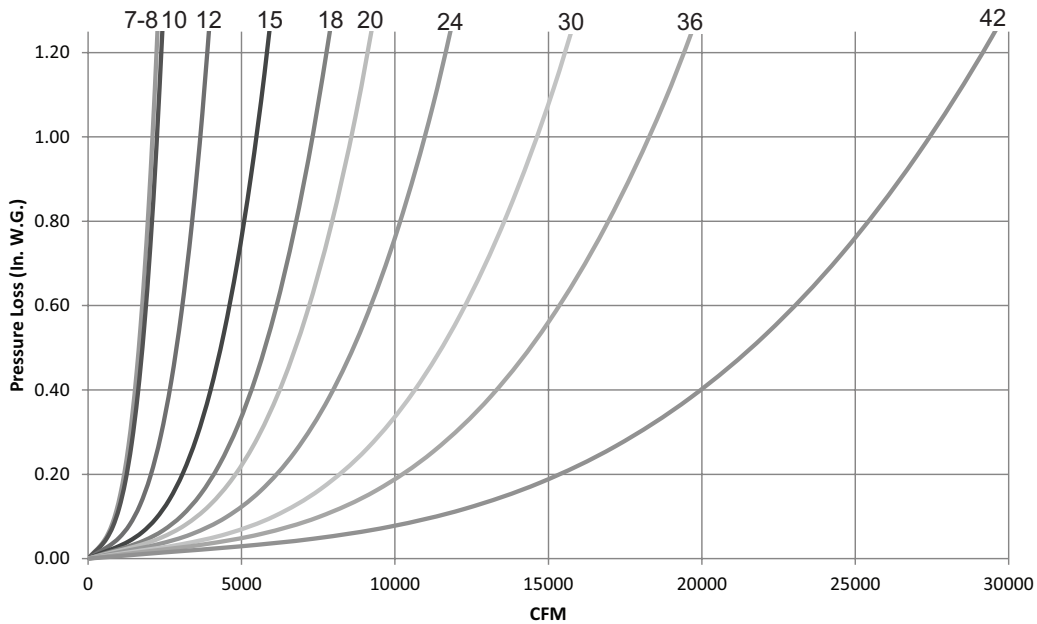
Fan Size	Filter Box Dimensions				Avg. Ship Wgt. (lbs)		No. of Filters	2" Filter Nominal Size
	A	B	C	D	Galv.	Alum.		
07-08	25	25	11-7/8	12	29	16	2	15x20x2
10	18	24-1/2	13-7/8	14	37	19	2	16x20x2
12	22	29-1/8	17-7/8	18	50	26	2	20x25x2
15	24	24-5/8	21-7/8	22	49	25	3	20x25x2
18	28	24-5/8	23-7/8	24	65	34	4	20x25x2
20	32	29-1/8	27-7/8	28	75	39	6	16x25x2
24	39	29-1/8	34-7/8	35	100	51	6	20x25x2
30	44	30-3/8	39-7/8	40	135	-	8	20x25x2
36	52	27-1/8	47-7/8	48	154	-	10	20x25x2
42	58	32-1/8	53-7/8	54	185	-	15	20x25x2



### FILTER BOX OPTIONS Cont.

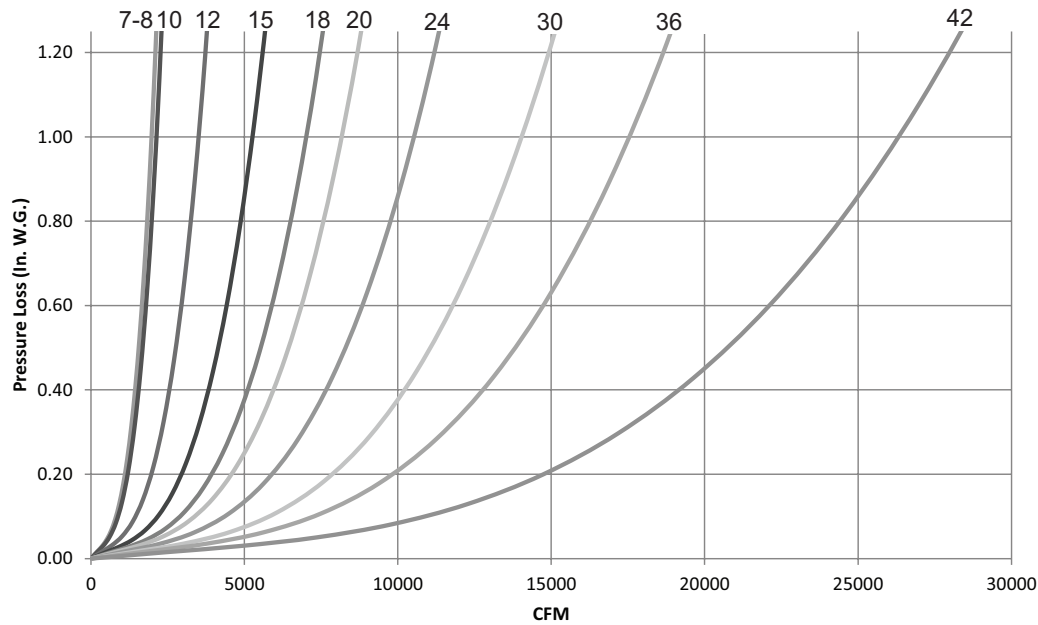
### PRESSURE LOSS GUIDE FOR 1" FILTER BOX

Use the estimated pressure drop graphs to help select the proper fan that will deliver the desired airflow. Enter the graph from the bottom at the specified CFM and move vertically upward to the fan curve for the desired size, then horizontally to the left and read the estimated static pressure drop resulting from these typical accessory packages. Add the accessory pressure loss to the system (or building) design static pressure loss to obtain the total static pressure loss to be used for the proper fan selection.



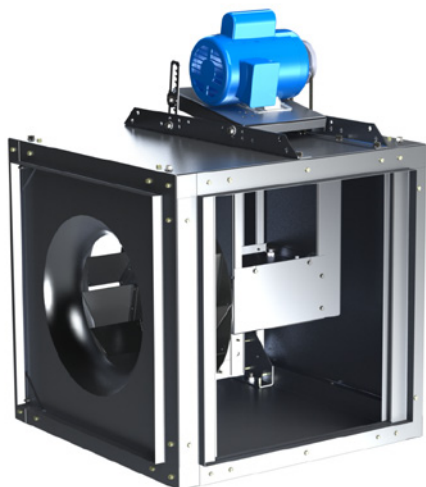
### PRESSURE LOSS GUIDE FOR 2" FILTER BOX

Use the estimated pressure drop graphs to help select the proper fan that will deliver the desired airflow. Enter the graph from the bottom at the specified CFM and move vertically upward to the fan curve for the desired size, then horizontally to the left and read the estimated static pressure drop resulting from these typical accessory packages. Add the accessory pressure loss to the system (or building) design static pressure loss to obtain the total static pressure loss to be used for the proper fan selection.



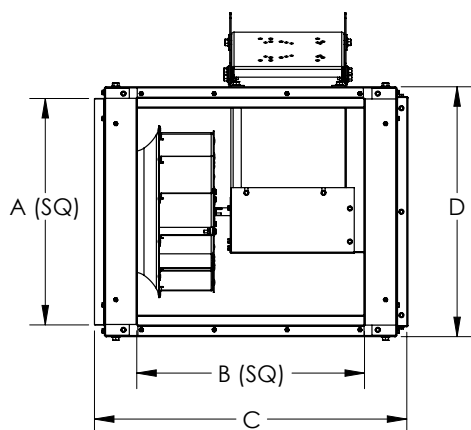


### SIDE DISCHARGE OPTION



### Dimensions (in.)

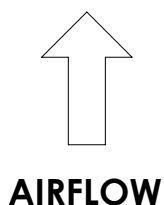
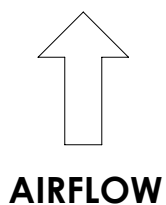
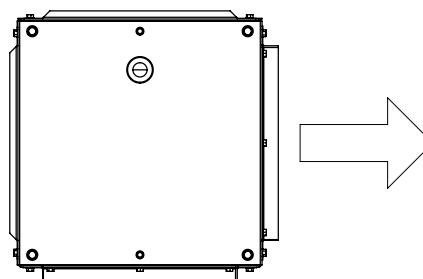
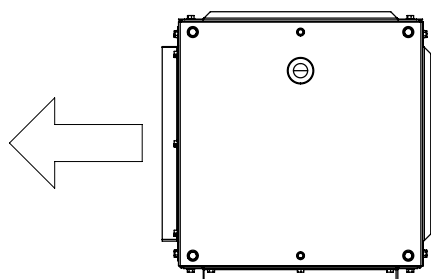
MODEL	A(IN)	B(IN)	C(IN)	D(IN)
SQB 7	11-7/8	11-7/8	23	15
SQB 8	11-7/8	11-7/8	23	15
SQB 10	13-7/8	13-7/8	23	17
SQB 12	17-7/8	17-7/8	23	21
SQB 15	21-7/8	21-7/8	30	24
SQB 15 HP	21-7/8	21-7/8	30	24
SQB 18	23-7/8	23-7/8	30	28
SQB 18 HP	23-7/8	23-7/8	30	28
SQB 20	27-7/8	27-7/8	34	32
SQB 20 HP	27-7/8	23-7/8	34	32
SQB 24	34-7/8	34-7/8	38	39
SQB 24 HP	34-7/8	34-7/8	38	39
SQB 30	39-7/8	39-7/8	40	44
SQB 30 HP	39-7/8	39-7/8	40	44
SQB 36	47-7/8	NA	45	52
SQB 36 HP	47-7/8	NA	45	52
SQB 42	53-7/8	NA	53	58



### Side Discharge Directions

**SIDE DISCHARGE LEFT**

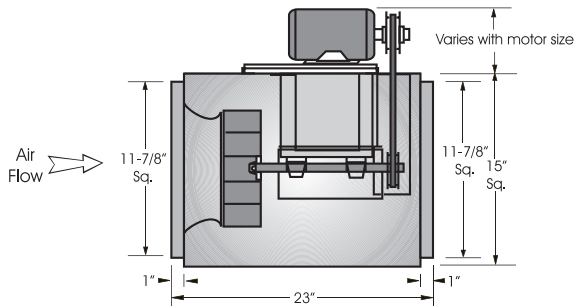
**SIDE DISCHARGE RIGHT**





# PERFORMANCE/DIMENSIONS

## SQB 7



Outlet Velocity = CFM x 1.02  
 Tip Speed = RPM x 2.6835  
 Maximum Motor Frame Size = 145T  
 Maximum RPM = 2430  
 Maximum BHP at a Given RPM = (RPM/3022)<sup>3</sup>

**Unit Specifications**  
 Housing Metal Thickness = 18 GA.  
 Approximate Weight = 75 lbs.

CFM / BHP @ Static Pressure / Sones										Drive Range	RPM	HP	Tip Speed
1/8	1/4	3/8	1/2	5/8	3/4	1	1-1/4	1-1/2	1-3/4				
151	98	-	-	-	-	-	-	-	-	DP 1	1070	1/4	2871
.04/4.4	.04/4.4	-	-	-	-	-	-	-	-		1150	1/4	3086
169	122	-	-	-	-	-	-	-	-		1210	1/4	3247
.06/5.5	.06/5.4	-	-	-	-	-	-	-	-		1290	1/4	3462
182	138	86	-	-	-	-	-	-	-		1370	1/4	3676
.06/6.2	.06/6.1	.06/6.1	-	-	-	-	-	-	-		1450	1/4	3891
199	159	113	-	-	-	-	-	-	-		1530	1/4	4106
.08/7.1	.08/7.0	.08/7.0	-	-	-	-	-	-	-		1610	1/4	4320
216	179	138	89	-	-	-	-	-	-		1690	1/4	4535
.09/7.9	.09/7.7	.09/7.7	.09/7.7	-	-	-	-	-	-		1730	1/4	4642
233	199	161	118	-	-	-	-	-	-	1770	1/4	4750	
.11/8.6	.11/8.5	.11/8.4	.11/8.4	-	-	-	-	-	-	1810	1/4	4857	
249	217	182	144	99	-	-	-	-	-	1850	1/4	4964	
.13/9.4	.13/9.2	.13/9.1	.13/9.1	.12/9.1	-	-	-	-	-	1890	1/4	5072	
265	235	203	167	128	-	-	-	-	-	1930	1/4	5179	
.15/10.2	.15/10.1	.15/9.9	.15/9.9	.15/9.9	-	-	-	-	-	1970	1/3	5286	
281	253	223	190	154	114	-	-	-	-	2050	1/3	5501	
.18/11.2	.18/11.0	.18/10.8	.18/10.8	.17/10.8	.17/10.8	-	-	-	-	2110	1/3	5662	
289	262	232	201	167	129	-	-	-	-	2190	1/2	5877	
.19/11.8	.19/11.7	.19/11.4	.19/11.3	.19/11.3	.18/11.3	-	-	-	-	2270	1/2	6091	
297	270	242	211	178	143	-	-	-	-	2350	1/2	6306	
.20/12.4	.20/12.3	.20/12.0	.20/11.9	.20/11.9	.20/11.9	-	-	-	-	2430	1/2	6521	
304	279	251	222	190	156	-	-	-	-				
.22/13.0	.22/12.9	.22/12.6	.22/12.4	.22/12.4	.21/12.4	-	-	-	-				
312	287	260	232	201	169	-	-	-	-				
.23/13.6	.23/13.5	.23/13.2	.23/12.9	.23/12.9	.23/12.9	-	-	-	-				
320	296	270	242	212	181	105	-	-	-				
.25/14.2	.25/14.2	.25/13.9	.25/13.6	.25/13.5	.24/13.5	.22/13.5	-	-	-				
328	304	279	252	223	193	123	-	-	-				
.26/14.9	.26/14.8	.26/14.5	.26/14.3	.26/14.2	.26/14.2	.24/14.2	-	-	-				
335	312	288	261	234	205	138	-	-	-				
.28/15.5	.28/15.5	.28/15.2	.28/14.9	.28/14.8	.28/14.8	.26/14.8	-	-	-				
351	329	305	281	254	227	167	-	-	-				
.32/16.8	.31/16.7	.31/16.6	.31/16.3	.31/16.1	.31/16.1	.31/16.1	-	-	-				
362	341	319	295	270	243	186	116	-	-				
.34/17.8	.34/17.7	.34/17.6	.34/17.3	.34/17.1	.34/17.0	.34/17.0	.31/17.0	-	-				
377	357	336	313	289	264	211	150	-	-				
.39/19.1	.38/19.0	.38/18.9	.38/18.7	.38/18.5	.38/18.3	.38/18.3	.36/18.3	-	-				
393	373	353	331	309	285	235	179	107	-				
.43/20	.43/20	.42/20	.42/20	.43/19.9	.43/19.7	.43/19.7	.41/19.7	.38/19.7	-				
408	389	370	349	327	305	257	206	145	-				
.48/22	.47/22	.47/22	.47/22	.47/21	.47/21	.47/21	.46/21	.44/21	-				
423	405	386	366	346	324	279	231	176	102				
.53/24	.52/24	.52/24	.52/23	.52/23	.52/23	.52/23	.52/23	.50/23	.46/23				

Performance certified is for installation type B - free inlet, ducted outlet.  
 Power Ratings (BHP) does not include drive losses.  
 Performance ratings do not include the effects of appurtenances in the airstream.

The sound ratings shown are loudness values in fan sones @ 5' (1.5m) in a hemispherical free field calculated per AMCA Standard 301. Values shown are for installation type A - free inlet fan sone levels.



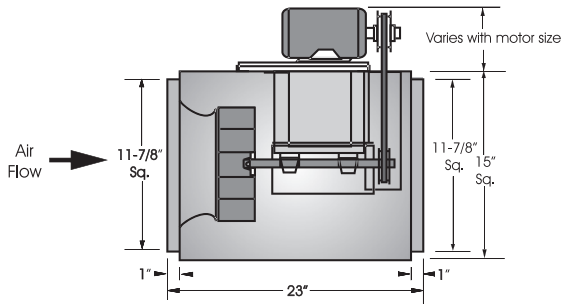
JencoFan, Div. of Soler & Palau Ventilation Group, certifies that the Models SQB shown herein are licensed to bear the AMCA Seal. The ratings shown are based on test and procedures performed in accordance with AMCA Publication 211 and AMCA Publication 311 and comply with the requirement of the AMCA Certified Ratings Program.







SQB 8



Outlet Velocity = CFM x 1.02

Tip Speed = RPM x 2.6835

Maximum Motor Frame Size = 145T

Maximum RPM = 2625

Maximum BHP at a Given RPM = (RPM/2876)<sup>3</sup>

Unit Specifications

Housing Metal Thickness = 18 GA.

Approximate Weight = 75 lbs.

CFM / BHP @ Static Pressure / Sones										Drive Range	RPM	HP	Tip Speed
1/8	1/4	3/8	1/2	5/8	3/4	1	1-1/4	1-1/2	1-3/4				
453	347	-	-	-	-	-	-	-	-	DP5	1050	1/4	2818
.05/5.0	.05/4.8	-	-	-	-	-	-	-	-		1125	1/4	3019
542	460	336	-	-	-	-	-	-	-		1200	1/4	3220
.07/7.0	.08/6.8	.07/6.8	-	-	-	-	-	-	-		1275	1/4	3421
585	510	415	-	-	-	-	-	-	-		1350	1/4	3623
.09/8.0	.09/7.8	.09/7.8	-	-	-	-	-	-	-		1425	1/4	3824
627	558	477	331	-	-	-	-	-	-		1500	1/4	4025
.10/8.7	.11/8.5	.11/8.4	.10/8.6	-	-	-	-	-	-		1575	1/4	4226
669	604	532	434	-	-	-	-	-	-		1650	1/4	4428
.12/9.5	.12/9.4	.13/9.2	.13/9.3	-	-	-	-	-	-		1725	1/4	4629
711	650	584	503	346	-	-	-	-	-	DP6	1800	1/4	4830
.14/10.2	.14/10.1	.15/10.0	.15/9.9	.14/10.0	-	-	-	-	-		1850	1/3	4964
753	695	633	563	465	-	-	-	-	-	DP7	1900	1/3	5099
.16/11.1	.16/10.9	.17/10.8	.17/10.7	.17/10.8	-	-	-	-	-		1950	1/3	5233
794	738	681	618	539	397	-	-	-	-	DP8	2025	1/3	5434
.18/12.0	.19/11.9	.19/11.7	.20/11.6	.20/11.7	.18/12.0	-	-	-	-		2075	1/2	5568
835	782	728	669	602	509	-	-	-	-	DP9	2125	1/2	5702
.21/13.1	.21/13.0	.22/12.8	.22/12.7	.23/12.6	.22/12.9	-	-	-	-		2175	1/2	5836
876	825	774	719	658	584	-	-	-	-	DP9	2275	1/2	6105
.24/14.3	.24/14.1	.25/13.9	.25/13.8	.26/13.7	.26/13.8	-	-	-	-		2325	1/2	6239
903	853	804	752	694	627	-	-	-	-	DP9	2475	3/4	6642
.26/15.0	.26/14.9	.27/14.7	.27/14.6	.28/14.4	.28/14.4	-	-	-	-		2625	3/4	7044
930	882	833	783	729	667	445	-	-	-	DP9			
.28/15.8	.28/15.7	.29/15.5	.30/15.4	.30/15.2	.30/15.1	.28/15.6	-	-	-				
957	910	863	815	763	705	536	-	-	-	DP9			
.30/16.6	.31/16.5	.31/16.3	.32/16.2	.32/16.1	.33/15.9	.32/16.3	-	-	-				
998	952	907	861	812	759	623	-	-	-	DP9			
.34/17.8	.34/17.7	.35/17.6	.35/17.4	.36/17.3	.36/17.2	.36/17.3	-	-	-				
1024	980	936	891	844	794	671	-	-	-	DP9			
.37/18.7	.37/18.5	.37/18.4	.38/18.3	.39/18.1	.39/18.0	.39/18.0	-	-	-				
1051	1008	965	921	876	828	715	500	-	-	DP9			
.39/19.5	.40/19.4	.40/19.3	.41/19.1	.41/19.1	.42/18.9	.42/18.8	.39/19.2	-	-				
1078	1036	993	951	907	861	755	592	-	-	DP9			
.42/20	.42/20	.43/20	.44/19.9	.44/19.9	.45/19.8	.45/19.6	.44/20	-	-				
1132	1091	1051	1010	969	926	831	708	-	-	DP9			
.48/22	.48/22	.49/22	.50/22	.50/22	.51/22	.52/21	.52/22	-	-				
1158	1118	1079	1039	999	958	868	755	540	-	DP9			
.51/24	.52/23	.52/23	.53/23	.53/23	.54/23	.55/23	.55/23	.51/23	-				
1238	1200	1163	1126	1089	1051	971	878	758	-	DP9			
.62/27	.62/27	.63/27	.63/27	.64/27	.65/27	.66/26	.67/26	.66/26	-				
1318	1282	1247	1212	1177	1142	1068	988	894	766	DP9			
.74/30	.74/30	.75/30	.75/29	.76/29	.77/29	.78/29	.79/29	.80/29	.79/29				

Performance certified is for installation type B - free inlet, ducted outlet. Power Ratings (BHP) does not include drive losses. Performance ratings do not include the effects of appurtenances in the airstream.

The sound ratings shown are loudness values in fan sones @ 5' (1.5m) in a hemispherical free field calculated per AMCA Standard 301. Values shown are for installation type A - free inlet fan sone levels.

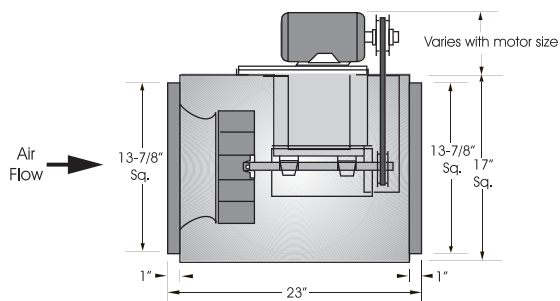


JencoFan, Div. of Soler & Palau Ventilation Group, certifies that the Models SQB shown herein are licensed to bear the AMCA Seal. The ratings shown are based on test and procedures performed in accordance with AMCA Publication 211 and AMCA Publication 311 and comply with the requirement of the AMCA Certified Ratings Program.





# SQB 10



**Outlet Velocity = CFM x 0.74**  
**Tip Speed = RPM x 3.207**  
**Maximum Motor Frame Size = 145T**  
**Maximum RPM = 2400**  
**Maximum BHP at a Given RPM = (RPM/2376)<sup>3</sup>**

### Unit Specifications

**Housing Metal Thickness = 18 GA.**  
**Approximate Weight = 85 lbs.**

CFM / BHP @ Static Pressure / Sones												Drive Range	RPM	HP	Tip Speed
1/8	1/4	3/8	1/2	5/8	3/4	1	1-1/4	1-1/2	1-3/4	2					
798	687	540	-	-	-	-	-	-	-	-	-	DP 10	1050	1/4	3367
.09/5.5	.09/5.2	.09/5.1	-	-	-	-	-	-	-	-	-		1100	1/4	3528
917	821	712	557	-	-	-	-	-	-	-	-		1175	1/4	3768
.12/7.2	.12/6.8	.12/6.6	.12/6.6	-	-	-	-	-	-	-	-		1250	1/4	4009
988	897	800	681	436	-	-	-	-	-	-	-		1300	1/4	4169
.14/8.3	.15/7.9	.15/7.5	.15/7.5	.12/7.5	-	-	-	-	-	-	-		1350	1/4	4330
1035	948	856	750	594	-	-	-	-	-	-	-		1400	1/4	4490
.16/8.8	.17/8.4	.17/8.0	.17/8.0	.16/8.0	-	-	-	-	-	-	-		1450	1/4	4650
1081	997	911	814	688	-	-	-	-	-	-	-		1500	1/4	4811
.18/9.4	.18/8.9	.19/8.6	.19/8.4	.18/8.4	-	-	-	-	-	-	-		1550	1/3	4971
1127	1046	964	874	765	593	-	-	-	-	-	-		1600	1/3	5131
.20/10.0	.21/9.5	.21/9.1	.21/8.9	.21/8.9	.19/8.9	-	-	-	-	-	-		1650	1/3	5292
1173	1095	1016	932	834	702	-	-	-	-	-	-	1700	1/2	5452	
.22/10.5	.23/10.2	.23/9.7	.23/9.4	.23/9.4	.22/9.4	-	-	-	-	-	-	1775	1/2	5692	
1219	1143	1068	988	898	787	-	-	-	-	-	-	1850	1/2	5933	
.25/11.1	.25/10.7	.26/10.4	.26/10.0	.26/9.9	.25/9.9	-	-	-	-	-	-	1900	1/2	6093	
1265	1191	1118	1042	959	861	-	-	-	-	-	-	1950	3/4	6254	
.27/11.7	.28/11.3	.28/10.9	.28/10.6	.29/10.4	.28/10.4	-	-	-	-	-	-	2025	3/4	6494	
1310	1239	1169	1096	1018	929	634	-	-	-	-	-	2100	3/4	6735	
.30/12.4	.30/12.0	.31/11.6	.31/11.2	.31/11.0	.31/11.0	.27/10.9	-	-	-	-	-	2175	3/4	6975	
1356	1286	1216	1148	1074	992	763	-	-	-	-	-	2250	1	7216	
.33/13.1	.33/12.7	.34/12.3	.34/11.9	.34/11.6	.34/11.5	.32/11.5	-	-	-	-	-	2400	1	7697	
1401	1334	1267	1200	1130	1053	857	-	-	-	-	-				
.36/13.9	.36/13.5	.37/13.1	.37/12.7	.38/12.4	.38/12.3	.36/12.1	-	-	-	-	-				
1469	1404	1340	1276	1210	1140	973	654	-	-	-	-				
.41/14.9	.41/14.6	.42/14.3	.42/13.9	.43/13.6	.43/13.3	.42/13.3	.36/13.2	-	-	-	-				
1536	1474	1413	1352	1289	1224	1076	864	-	-	-	-				
.46/16.2	.47/15.8	.47/15.5	.48/15.1	.48/14.8	.48/14.5	.48/14.4	.46/14.3	-	-	-	-				
1581	1520	1461	1401	1341	1278	1139	957	-	-	-	-				
.50/17.0	.50/16.7	.51/16.3	.51/16.0	.52/15.7	.52/15.3	.53/15.1	.51/15.1	-	-	-	-				
1626	1566	1508	1451	1392	1332	1200	1037	741	-	-	-				
.54/17.9	.54/17.5	.55/17.2	.56/16.9	.56/16.5	.57/16.2	.57/15.9	.56/15.9	.49/15.9	-	-	-				
1693	1636	1579	1524	1468	1411	1288	1145	943	-	-	-				
.60/19.2	.61/18.8	.61/18.5	.62/18.2	.63/17.9	.63/17.6	.64/17.1	.63/17.1	.60/17.1	-	-	-				
1760	1704	1650	1597	1543	1488	1373	1243	1079	773	-	-				
.67/21	.68/20	.68/19.9	.69/19.6	.70/19.3	.70/19.0	.71/18.4	.71/18.3	.69/18.2	.60/18.3	-	-				
1827	1773	1720	1669	1617	1564	1456	1336	1194	993	-	-				
.75/22	.75/22	.76/21	.76/21	.77/21	.78/20	.79/19.8	.79/19.5	.78/19.5	.74/19.4	-	-				
1894	1841	1790	1740	1690	1640	1536	1424	1297	1135	849	-				
.83/24	.83/23	.84/23	.84/23	.85/22	.86/22	.87/21	.87/21	.87/21	.85/21	.74/21	-				
2027	1977	1929	1882	1835	1788	1693	1593	1484	1360	1205	-				
1.00/27	1.01/27	1.01/26	1.02/26	1.03/26	1.03/25	1.05/25	1.06/24	1.06/24	1.06/24	1.06/24	1.03/24				

Performance certified is for installation type B - free inlet, ducted outlet.  
 Power Ratings (BHP) does not include drive losses.  
 Performance ratings do not include the effects of appurtenances in the airstream.

The sound ratings shown are loudness values in fan sones @ 5' (1.5m) in a hemispherical free field calculated per AMCA Standard 301. Values shown are for installation type A - free inlet fan sone levels.

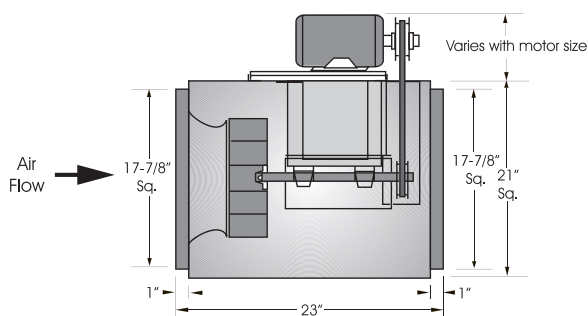


JenCoFan, Div. of Soler & Palau Ventilation Group, certifies that the Models SQB shown herein are licensed to bear the AMCA Seal. The ratings shown are based on test and procedures performed in accordance with AMCA Publication 211 and AMCA Publication 311 and comply with the requirement of the AMCA Certified Ratings Program.





SQB 12



Outlet Velocity = CFM x 0.45
Tip Speed = RPM x 3.534
Maximum Motor Frame Size = 145T
Maximum RPM = 2125
Maximum BHP at a Given RPM = (RPM/1821)^3

Unit Specifications
Housing Metal Thickness = 18 GA.
Approximate Weight = 95 lbs.

Table with columns: CFM / BHP @ Static Pressure / Sones (1/8, 1/4, 3/8, 1/2, 5/8, 3/4, 1, 1-1/4, 1-1/2, 1-3/4, 2), Drive Range (DP 15, DP 16, DP 17, DP 18, DP 19, DP 20), RPM, HP, Tip Speed.

Performance certified is for installation type B - free inlet, ducted outlet.
Power Ratings (BHP) does not include drive losses.
Performance ratings do not include the effects of appurtenances in the airstream.

The sound ratings shown are loudness values in fan sones @ 5' (1.5m) in a hemispherical free field calculated per AMCA Standard 301. Values shown are for installation type A - free inlet fan sone levels.

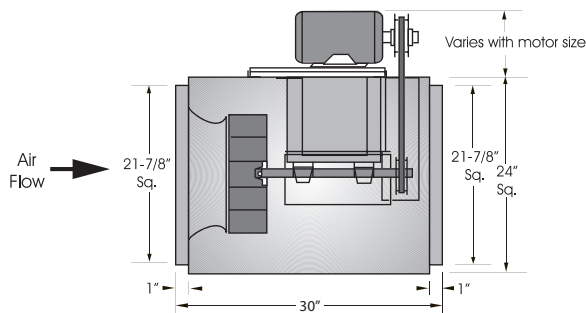


JencoFan, Div. of Soler & Palau Ventilation Group, certifies that the Models SQB shown herein are licensed to bear the AMCA Seal. The ratings shown are based on test and procedures performed in accordance with AMCA Publication 211 and AMCA Publication 311 and comply with the requirement of the AMCA Certified Ratings Program.





# SQB 15



**Outlet Velocity = CFM x 0.30**  
**Tip Speed = RPM x 4.058**  
**Maximum Motor Frame Size = 184T**  
**Maximum RPM = 1910**  
**Maximum BHP at a Given RPM = (RPM/1492)<sup>3</sup>**

**Unit Specifications**  
**Housing Metal Thickness = 18 GA.**  
**Approximate Weight = 140 lbs.**

CFM / BHP @ Static Pressure / Sones												Drive Range	RPM	HP	Tip Speed
1/8	1/4	3/8	1/2	5/8	3/4	1	1-1/4	1-1/2	1-3/4	2	2-1/4				
1611	1408	1135	-	-	-	-	-	-	-	-	-	DP 21	770	1/4	3126
.13/6.4	.14/5.8	.14/5.0	-	-	-	-	-	-	-	-	-				
1753	1567	1349	-	-	-	-	-	-	-	-	-	DP 22	825	1/4	3348
.16/7.3	.16/6.8	.17/6.1	-	-	-	-	-	-	-	-	-				
1894	1721	1531	1269	-	-	-	-	-	-	-	-	DP 23	880	1/4	3571
.19/8.3	.20/7.7	.20/7.1	.20/6.3	-	-	-	-	-	-	-	-				
2071	1911	1745	1548	1227	-	-	-	-	-	-	-	DP 24	950	1/4	3855
.23/9.6	.24/9.0	.25/8.4	.26/7.7	.24/7.0	-	-	-	-	-	-	-				
2172	2018	1861	1684	1447	-	-	-	-	-	-	-	DP 25	990	1/3	4017
.26/10.3	.27/9.7	.29/9.2	.29/8.6	.29/7.8	-	-	-	-	-	-	-				
2347	2203	2058	1904	1723	1464	-	-	-	-	-	-	DP 26	1060	1/3	4301
.32/11.7	.33/11.1	.35/10.6	.36/10.2	.36/9.4	.35/8.7	-	-	-	-	-	-				
2459	2320	2182	2038	1877	1674	-	-	-	-	-	-	DP 27	1105	1/2	4484
.36/12.6	.38/12.1	.39/11.6	.40/11.1	.41/10.5	.40/9.7	-	-	-	-	-	-				
2595	2462	2331	2197	2052	1884	-	-	-	-	-	-	DP 28	1160	1/2	4707
.42/13.7	.43/13.3	.45/12.9	.46/12.4	.47/12.0	.47/11.1	-	-	-	-	-	-				
2707	2577	2452	2324	2189	2038	1576	-	-	-	-	-	DP 29	1205	1/2	4890
.47/14.9	.48/14.3	.50/13.9	.51/13.5	.52/13.1	.53/12.4	.49/10.8	-	-	-	-	-				
2842	2718	2597	2476	2350	2214	1865	-	-	-	-	-	DP 30	1260	3/4	5113
.54/16.0	.55/15.6	.56/15.1	.58/14.6	.59/14.2	.60/13.7	.59/12.2	-	-	-	-	-				
3026	2908	2794	2680	2564	2442	2159	1668	-	-	-	-	DP 31	1335	3/4	5417
.64/17.7	.65/17.2	.66/16.7	.68/16.3	.69/15.9	.71/15.4	.72/14.1	.66/12.7	-	-	-	-				
3124	3009	2897	2787	2675	2559	2298	1925	-	-	-	-	DP 32	1375	3/4	5580
.70/18.5	.71/18.1	.72/17.6	.74/17.2	.75/16.8	.77/16.4	.78/15.1	.76/13.8	-	-	-	-				
3295	3184	3078	2973	2868	2760	2526	2236	1585	-	-	-	DP 33	1445	1	5864
.81/20	.82/19.6	.83/19.2	.85/18.8	.87/18.4	.88/18.0	.90/17.1	.91/15.6	.76/14.3	-	-	-				
3502	3396	3295	3196	3097	2996	2786	2545	2225	-	-	-	DP 34	1530	1	6209
.96/22	.97/22	.98/21	1.00/21	1.02/20	1.03/19.9	1.06/19.2	1.08/18.0	1.06/16.7	-	-	-				
3575	3471	3371	3274	3177	3079	2874	2645	2356	1672	-	-	DP 35	1560	1-1/2	6330
1.01/23	1.03/22	1.04/22	1.06/21	1.08/21	1.09/21	1.12/19.9	1.14/18.8	1.13/17.5	.93/16.2	-	-				
3732	3632	3536	3442	3349	3255	3063	2853	2608	2268	-	-	DP 36	1625	1-1/2	6594
1.14/24	1.16/24	1.17/24	1.19/23	1.21/23	1.23/22	1.26/21	1.29/21	1.29/19.3	1.25/18.1	-	-				
3854	3756	3662	3570	3480	3390	3205	3007	2784	2503	1963	-	DP 37	1675	1-1/2	6797
1.25/26	1.27/25	1.28/25	1.30/24	1.32/24	1.34/24	1.37/23	1.40/22	1.42/21	1.40/19.5	1.24/18.4	-				
3999	3904	3813	3724	3636	3549	3372	3187	2983	2742	2413	-	DP 38	1735	1-1/2	7040
1.39/27	1.40/27	1.42/26	1.44/26	1.46/25	1.48/25	1.51/24	1.55/24	1.57/22	1.57/21	1.52/20	-				
4023	3928	3838	3749	3662	3576	3400	3216	3015	2780	2465	-	DP 39	1745	2	7081
1.42/27	1.43/27	1.44/26	1.46/26	1.48/26	1.50/25	1.54/25	1.57/24	1.60/23	1.60/22	1.56/20	-				
4119	4027	3938	3851	3766	3681	3510	3333	3141	2923	2651	2181	DP 40	1785	2	7243
1.52/28	1.53/28	1.54/28	1.56/27	1.58/27	1.60/26	1.64/26	1.68/25	1.70/24	1.71/23	1.69/22	1.54/20				
4252	4162	4075	3991	3908	3826	3660	3490	3310	3110	2876	2558	DP 41	1840	2	7467
1.66/30	1.67/29	1.69/29	1.71/29	1.73/28	1.75/28	1.79/27	1.82/26	1.86/26	1.88/24	1.87/23	1.81/22				
4421	4333	4249	4168	4087	4008	3849	3688	3518	3336	3131	2884	DP 42	1910	2	7751
1.85/32	1.87/31	1.88/31	1.90/31	1.92/30	1.94/30	1.98/29	2.03/28	2.06/27	2.09/27	2.10/25	2.08/24				

Performance certified is for installation type B - free inlet, ducted outlet.  
 Power Ratings (BHP) does not include drive losses.  
 Performance ratings do not include the effects of appurtenances in the airstream.

The sound ratings shown are loudness values in fan sones @ 5' (1.5m) in a hemispherical free field calculated per AMCA Standard 301. Values shown are for installation type A - free inlet fan sone levels.

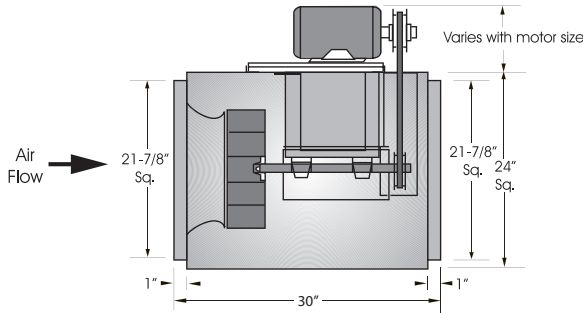


JencoFan, Div. of Soler & Palau Ventilation Group, certifies that the Models SQB shown herein are licensed to bear the AMCA Seal. The ratings shown are based on test and procedures performed in accordance with AMCA Publication 211 and AMCA Publication 311 and comply with the requirement of the AMCA Certified Ratings Program.





SQBHP 15



Outlet Velocity = CFM x 0.30
Tip Speed = RPM x 4.058
Maximum Motor Frame Size = 184T
Maximum RPM = 2130
Maximum BHP at a Given RPM = (RPM/1708)³

Unit Specifications
Housing Metal Thickness = 18 GA.
Approximate Weight = 140 lbs.

Table with columns for CFM / BHP @ Static Pressure / Sones (3/4, 1, 1-1/4, 1-1/2, 1-3/4, 2, 2-1/4, 2-1/2, 2-3/4, 3, 3-1/4, 3-1/2) and Drive Range (DP 28, DP 29, DP 30, DP 31, DP 32, DP 33) with corresponding RPM, HP, and Tip Speed values.

Performance certified is for installation type B - free inlet, ducted outlet.
Power Ratings (BHP) does not include drive losses.
Performance ratings do not include the effects of appurtenances in the airstream.

The sound ratings shown are loudness values in fan sones @ 5' (1.5m) in a hemispherical free field calculated per AMCA Standard 301. Values shown are for installation type A - free inlet fan sone levels.

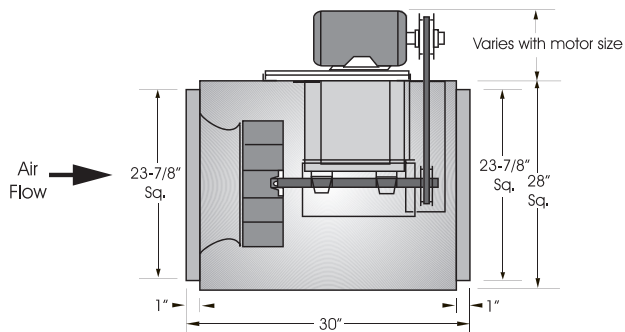


JencoFan, Div. of Soler & Palau Ventilation Group, certifies that the Models SQB shown herein are licensed to bear the AMCA Seal. The ratings shown are based on test and procedures performed in accordance with AMCA Publication 211 and AMCA Publication 311 and comply with the requirement of the AMCA Certified Ratings Program.





SQB 18



Outlet Velocity = CFM x 0.25  
Tip Speed = RPM x 4.843  
Maximum Motor Frame Size = 184T  
Maximum RPM = 1640  
Maximum BHP at a Given RPM = (RPM/1122)<sup>3</sup>

Unit Specifications  
Housing Metal Thickness = 18 GA.  
Approximate Weight = 190 lbs.

CFM / BHP @ Static Pressure / Sones												Drive Range	RPM	HP	Tip Speed
1/8	1/4	3/8	1/2	5/8	3/4	1	1-1/4	1-1/2	1-3/4	2	2-1/4				
2395 .22/6.7	2155 .23/6.2	1888 .24/6.0	1443 .23/5.9	-	-	-	-	-	-	-	-	DP 34	700	1/3	3390
2600 .27/7.6	2376 .28/7.2	2141 .30/6.9	1845 .30/6.7	-	-	-	-	-	-	-	-				
2803 .32/8.6	2592 .34/8.2	2378 .35/7.8	2135 .36/7.6	1786 .35/7.4	-	-	-	-	-	-	-	DP 35	800	1/3	3875
3005 .38/9.6	2805 .40/9.2	2607 .42/8.9	2393 .43/8.5	2135 .43/8.3	1662 .39/8.1	-	-	-	-	-	-				
3206 .45/10.8	3014 .47/10.3	2829 .49/9.9	2635 .51/9.6	2417 .52/9.3	2137 .51/9.0	-	-	-	-	-	-	DP 36	900	1/2	4359
3306 .49/11.3	3119 .51/10.9	2938 .53/10.6	2752 .55/10.2	2548 .56/9.8	2301 .56/9.6	-	-	-	-	-	-				
3505 .57/12.5	3326 .59/12.1	3154 .61/11.7	2981 .63/11.3	2797 .65/11.0	2589 .66/10.7	1754 .56/10.2	-	-	-	-	-	DP 37	975	3/4	4722
3704 .66/13.7	3531 .68/13.4	3367 .71/13.0	3204 .73/12.6	3034 .75/12.3	2851 .76/11.9	2364 .75/11.3	-	-	-	-	-				
3803 .71/14.4	3633 .73/14.0	3473 .76/13.6	3314 .78/13.3	3150 .80/12.9	2976 .81/12.5	2541 .81/11.9	-	-	-	-	-	DP 38	1050	1	5085
4000 .81/15.7	3837 .84/15.3	3682 .86/14.9	3531 .89/14.6	3377 .91/14.2	3217 .93/13.9	2846 .94/13.2	2189 .86/12.5	-	-	-	-				
4099 .87/16.3	3938 .89/15.9	3787 .92/15.6	3638 .94/15.2	3489 .97/14.9	3334 .99/14.5	2985 2469 1.01/13.8	2673 .97/13.2	-	-	-	-	DP 39	1100	1	5328
4198 .92/17.0	4039 .95/16.6	3890 .98/16.3	3745 1.00/15.9	3600 1.03/15.6	3450 1.05/15.2	3119 1.07/14.5	2673 1.06/13.9	-	-	-	-				
4394 1.05/18.5	4241 1.07/18.1	4097 1.10/17.7	3957 1.13/17.4	3818 1.16/17.0	3677 1.18/16.7	3374 1.21/15.9	3006 1.22/15.2	2313 1.10/14.6	-	-	-	DP 40	1200	1-1/2	5812
4591 1.18/19.7	4442 1.21/19.4	4303 1.24/19.0	4168 1.27/18.7	4034 1.30/18.3	3900 1.32/18.0	3618 1.36/17.3	3295 1.38/16.6	2853 1.35/15.9	-	-	-				
4786 1.33/21	4642 1.36/21	4507 1.39/20	4376 1.42/20	4248 1.45/19.7	4120 1.47/19.4	3854 1.52/18.7	3562 1.55/18.0	3202 1.55/17.3	2566 1.42/16.7	-	-	DP 37	1300	1-1/2	6296
4884 1.40/22	4742 1.43/21	4609 1.46/21	4480 1.50/21	4354 1.52/20	4228 1.55/20	3970 1.60/19.4	3689 1.64/18.7	3356 1.64/18.1	2865 1.57/17.4	-	-				
5080 1.57/23	4941 1.60/23	4812 1.63/22	4687 1.66/22	4565 1.69/22	4444 1.72/21	4198 1.78/21	3937 1.82/20	3641 1.84/19.5	3265 1.82/18.9	-	-	DP 38	1375	2	6660
5275 1.74/24	5140 1.77/24	5014 1.81/24	4893 1.84/23	4774 1.87/23	4657 1.90/23	4422 1.96/22	4176 2.01/22	3906 2.04/21	3588 2.04/20	3141 1.97/19.7	-				
5469 1.93/26	5339 1.96/25	5216 2.00/25	5098 2.03/25	4983 2.06/25	4869 2.10/24	4643 2.16/24	4409 2.21/23	4159 2.25/22	3877 2.27/22	3526 2.25/21	2924 2.07/21	DP 39	1425	2	6902
5664 2.13/27	5536 2.16/27	5416 2.20/27	5301 2.23/26	5190 2.27/26	5079 2.30/26	4861 2.37/25	4638 2.43/25	4403 2.48/24	4146 2.51/23	3845 2.51/23	3447 2.44/22				
5955 2.45/29	5833 2.49/29	5717 2.53/29	5606 2.56/28	5498 2.60/28	5393 2.64/28	5184 2.71/27	4974 2.78/27	4757 2.83/26	4526 2.87/26	4271 2.90/25	3972 2.89/24	DP 37	1600	3	7749
6111 2.64/30	5990 2.68/30	5877 2.72/30	5786 2.75/30	5662 2.79/29	5559 2.83/29	5355 2.90/29	5151 2.97/28	4941 3.03/28	4721 3.08/27	4482 3.11/26	4212 3.12/26				

Performance certified is for installation type B - free inlet, ducted outlet.  
Power Ratings (BHP) does not include drive losses.  
Performance ratings do not include the effects of appurtenances in the airstream.

The sound ratings shown are loudness values in fan sones @ 5' (1.5m) in a hemispherical free field calculated per AMCA Standard 301. Values shown are for installation type A - free inlet fan sone levels.



JencoFan, Div. of Soler & Palau Ventilation Group, certifies that the Models SQB shown herein are licensed to bear the AMCA Seal. The ratings shown are based on test and procedures performed in accordance with AMCA Publication 211 and AMCA Publication 311 and comply with the requirement of the AMCA Certified Ratings Program.



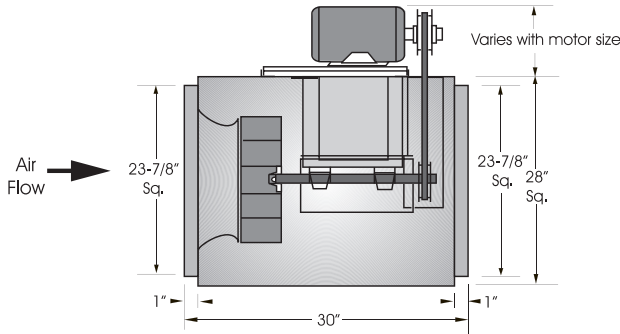


# MODEL SQB

## BELT DRIVE SQUARE INLINE CENTRIFUGAL DUCT FAN



### SQBHP 18



Outlet Velocity = CFM x 0.25

Tip Speed = RPM x 4.843

Maximum Motor Frame Size = 184T

Maximum RPM = 1800

Maximum BHP at a Given RPM = (RPM/1251)<sup>3</sup>

#### Unit Specifications

Housing Metal Thickness = 18 GA.

Approximate Weight = 190 lbs.

CFM / BHP @ Static Pressure / Sones											Drive Range	RPM	HP	Tip Speed
3/4	1	1-1/4	1-1/2	1-3/4	2	2-1/4	2-1/2	2-3/4	3	3-1/4				
2119 .50/9.5	-	-	-	-	-	-	-	-	-	-	DP 41	980	1/2	4746
2209 .53/9.9	1559 .47/9.0	-	-	-	-	-	-	-	-	-				
2318 .57/10.6	1845 .55/9.6	-	-	-	-	-	-	-	-	-	DP 42	1000	1/2	4843
2525 .65/11.9	2165 .66/10.8	-	-	-	-	-	-	-	-	-				
2721 .74/13.3	2416 .76/12.2	1857 .69/11.2	-	-	-	-	-	-	-	-	DP 43	1025	3/4	4964
2817 .78/14.0	2530 .81/12.9	2095 .78/11.9	-	-	-	-	-	-	-	-				
3004 .88/15.5	2746 .91/14.3	2410 .91/13.3	-	-	-	-	-	-	-	-	DP 44	1075	3/4	5207
3187 .98/17.0	2950 1.02/15.8	2664 1.04/14.7	2216 .99/13.8	-	-	-	-	-	-	-				
3277 1.03/17.6	3049 1.08/16.5	2780 1.10/15.4	2403 1.07/14.4	-	-	-	-	-	-	-	DP 45	1125	3/4	5449
3456 1.15/18.8	3242 1.20/17.8	3000 1.23/16.7	2696 1.23/15.7	2105 1.10/14.8	-	-	-	-	-	-				
3632 1.27/20	3429 1.32/19.1	3207 1.36/18.0	2945 1.38/17.1	2581 1.35/16.1	-	-	-	-	-	-	DP 46	1150	1	5570
3806 1.40/21	3613 1.46/20	3407 1.51/19.5	3172 1.53/18.5	2879 1.53/17.6	2374 1.41/16.7	-	-	-	-	-				
3978 1.54/23	3794 1.60/22	3600 1.65/21	3385 1.69/20	3133 1.70/19.1	2793 1.67/18.2	-	-	-	-	-	DP 47	1200	1	5812
4149 1.68/24	3973 1.75/23	3788 1.81/22	3589 1.86/21	3364 1.88/21	3087 1.87/19.7	2661 1.78/18.8	-	-	-	-				
4234 1.76/25	4061 1.83/24	3881 1.89/23	3688 1.94/22	3473 1.97/21	3217 1.98/20	2863 1.92/19.6	-	-	-	-	DP 48	1250	1	6054
4318 1.84/25	4149 1.91/25	3973 1.98/24	3786 2.03/23	3580 2.06/22	3340 2.08/21	3029 2.04/20	-	-	-	-				
4403 1.92/26	4236 2.00/25	4065 2.06/25	3883 2.12/24	3685 2.16/23	3458 2.18/22	3178 2.16/21	2731 2.03/20	-	-	-	DP 49	1275	1	6175
4570 2.09/28	4410 2.17/27	4245 2.24/26	4073 2.30/25	3888 2.35/24	3683 2.38/23	3442 2.38/23	3128 2.33/22	-	-	-				
4738 2.27/29	4582 2.35/28	4424 2.43/28	4259 2.50/27	4085 2.55/26	3896 2.59/25	3682 2.61/24	3424 2.59/23	3062 2.50/23	-	-	DP 50	1325	1-1/2	6417
4904 2.46/30	4753 2.55/30	4600 2.63/29	4443 2.70/28	4278 2.76/28	4100 2.81/27	3906 2.84/26	3682 2.85/25	3403 2.81/24	2963 2.64/24	-				
4987 2.56/31	4838 2.65/30	4688 2.73/30	4534 2.81/29	4372 2.87/28	4201 2.92/28	4013 2.96/27	3802 2.97/26	3547 2.95/25	3194 2.84/24	-	DP 51	1375	1-1/2	6660
5069 2.66/32	4923 2.75/31	4775 2.84/31	4624 2.91/30	4466 2.98/29	4299 3.04/28	4119 3.08/27	3918 3.10/27	3682 3.09/26	3377 3.02/25	2739 2.68/24				
											DP 52	1425	1-1/2	6902
											DP 53	1475	2	7144
											DP 54	1525	2	7386
											DP 55	1550	2	7507
											DP 56	1575	2	7628
											DP 57	1600	3	7749
											DP 58	1650	3	7991
											DP 59	1700	3	8234
											DP 60	1750	3	8476
											DP 61	1775	3	8597
											DP 62	1800	3	8718

Performance certified is for installation type B - free inlet, ducted outlet. Power Ratings (BHP) does not include drive losses. Performance ratings do not include the effects of appurtenances in the airstream.

The sound ratings shown are loudness values in fan sones @ 5' (1.5m) in a hemispherical free field calculated per AMCA Standard 301. Values shown are for installation type A - free inlet fan sone levels.

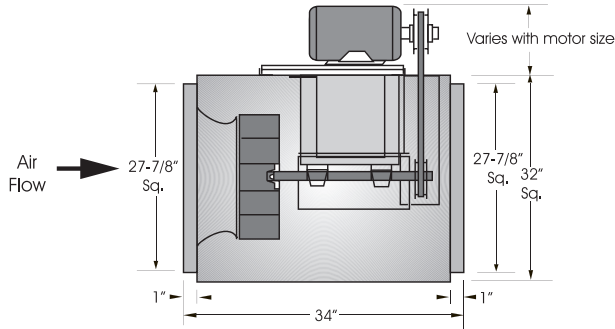


JencoFan, Div. of Soler & Palau Ventilation Group, certifies that the Models SQB shown herein are licensed to bear the AMCA Seal. The ratings shown are based on test and procedures performed in accordance with AMCA Publication 211 and AMCA Publication 311 and comply with the requirement of the AMCA Certified Ratings Program.





SQB 20



Outlet Velocity = CFM x 0.18
Tip Speed = RPM x 5.629
Maximum Motor Frame Size = 184T
Maximum RPM = 1275
Maximum BHP at a Given RPM = (RPM/870)³

Unit Specifications
Housing Metal Thickness = 18 GA.
Approximate Weight = 220 lbs.

Table with columns for CFM / BHP @ Static Pressure / Sones (1/8 to 2-1/4), Drive Range (DP 47-53), RPM, HP, and Tip Speed. It lists performance data for various motor sizes and drive ranges.

Performance certified is for installation type B - free inlet, ducted outlet.
Power Ratings (BHP) does not include drive losses.
Performance ratings do not include the effects of appurtenances in the airstream.

The sound ratings shown are loudness values in fan sones @ 5' (1.5m) in a hemispherical free field calculated per AMCA Standard 301. Values shown are for installation type A - free inlet fan sone levels.



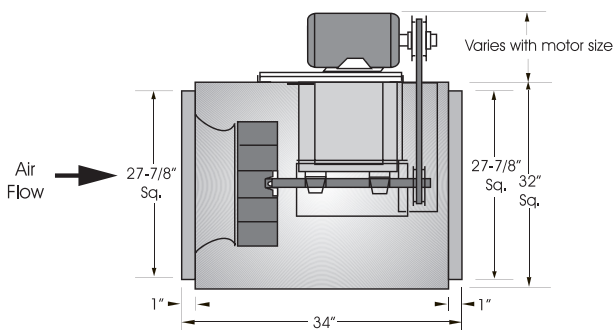
JencoFan, Div. of Soler & Palau Ventilation Group, certifies that the Models SQB shown herein are licensed to bear the AMCA Seal. The ratings shown are based on test and procedures performed in accordance with AMCA Publication 211 and AMCA Publication 311 and comply with the requirement of the AMCA Certified Ratings Program.







# SQBHP 20



Outlet Velocity = CFM x 0.18  
 Tip Speed = RPM x 5.629  
 Maximum Motor Frame Size = 184T  
 Maximum RPM = 1440  
 Maximum BHP at a Given RPM = (RPM/988)<sup>3</sup>

**Unit Specifications**  
 Housing Metal Thickness = 18 GA.  
 Approximate Weight = 220 lbs.

CFM / BHP @ Static Pressure / Sones									Drive Range	RPM	HP	Tip Speed	
3/4	1	1-1/4	1-1/2	1-3/4	2	2-1/4	2-1/2	2-3/4					
2876	1908	-	-	-	-	-	-	-	DP-54	DP-55	850	3/4	4784
.65/10.1	.56/9.1	-	-	-	-	-	-	-			875	3/4	4925
3051	2380	-	-	-	-	-	-	-			900	3/4	5066
.70/10.9	.67/9.7	-	-	-	-	-	-	-	DP-56	DP-57	950	1	5347
3218	2656	-	-	-	-	-	-	-			1000	1	5629
.76/11.8	.75/10.4	-	-	-	-	-	-	-			1025	1-1/2	5769
3536	3086	2120	-	-	-	-	-	-	DP-58	DP-57	1075	1-1/2	6051
.89/13.9	.90/11.9	.78/10.9	-	-	-	-	-	-			1100	1-1/2	6192
3839	3452	2907	-	-	-	-	-	-			1125	1-1/2	6332
1.02/15.6	1.05/13.7	1.03/12.4	-	-	-	-	-	-	1145	1-1/2	6445		
3986	3622	3144	-	-	-	-	-	-	DP-58	DP-57	1150	2	6473
1.09/16.4	1.13/14.8	1.12/13.2	-	-	-	-	-	-			1175	2	6614
4275	3946	3549	2957	-	-	-	-	-			1200	2	6754
1.25/18.1	1.29/17.2	1.31/14.9	1.26/13.7	-	-	-	-	-	1225	2	6895		
4416	4102	3732	3230	-	-	-	-	-	DP-58	DP-57	1250	2	7036
1.33/19.0	1.38/18.2	1.40/16.0	1.38/14.6	-	-	-	-	-			1300	3	7317
4557	4254	3907	3463	2546	-	-	-	-			1325	3	7458
1.41/19.9	1.47/19.2	1.50/17.2	1.49/15.4	1.31/14.5	-	-	-	-	1350	3	7599		
4668	4375	4043	3632	2974	-	-	-	-	DP-58	DP-57	1375	3	7739
1.48/21	1.54/19.9	1.58/18.1	1.58/16.1	1.48/15.1	-	-	-	-			1400	3	7880
4696	4405	4076	3673	3048	-	-	-	-			1425	3	8021
1.50/21	1.56/20	1.60/18.4	1.60/16.3	1.52/15.3	-	-	-	-	1440	3	8105		
4834	4553	4240	3868	3353	-	-	-	-	DP-58	DP-57	1300	3	7317
1.59/22	1.65/21	1.70/19.7	1.71/17.5	1.66/16.1	-	-	-	-			1325	3	7458
4971	4699	4400	4053	3603	2601	-	-	-			1350	3	7599
1.68/23	1.75/22	1.80/21	1.82/18.7	1.80/17.0	1.55/16.2	-	-	-	1375	3	7739		
5107	4843	4556	4229	3826	3194	-	-	-	DP-58	DP-57	1400	3	7880
1.78/24	1.85/23	1.90/22	1.93/19.9	1.93/18.0	1.82/17.0	-	-	-			1425	3	8021
5242	4986	4709	4400	4030	3517	-	-	-			1440	3	8105
1.88/25	1.96/24	2.01/23	2.05/21	2.06/19.1	1.99/17.9	-	-	-	DP-58	DP-57	1300	3	7317
5510	5267	5009	4727	4405	4007	3398	-	-			1325	3	7458
2.09/26	2.18/25	2.24/25	2.29/24	2.32/21	2.30/19.6	2.18/18.8	-	-			1350	3	7599
5643	5406	5156	4885	4581	4218	3721	-	-	DP-58	DP-57	1375	3	7739
2.20/27	2.29/26	2.36/26	2.42/25	2.45/23	2.44/21	2.37/19.6	-	-			1400	3	7880
5775	5544	5302	5041	4751	4415	3984	3203	-			1425	3	8021
2.32/27	2.41/27	2.49/26	2.55/26	2.58/24	2.59/22	2.55/20	2.32/19.6	-	1440	3	8105		
5907	5681	5445	5193	4917	4602	4216	3650	-	DP-58	DP-57	1300	3	7317
2.44/28	2.53/28	2.61/27	2.68/27	2.72/25	2.74/23	2.72/21	2.59/20	-			1325	3	7458
6039	5818	5588	5344	5079	4782	4430	3959	-			1350	3	7599
2.56/29	2.66/29	2.75/28	2.81/27	2.86/26	2.89/24	2.88/22	2.80/21	-	1375	3	7739		
6170	5953	5729	5493	5238	4956	4629	4219	3554	DP-58	DP-57	1400	3	7880
2.69/29	2.79/29	2.88/29	2.95/28	3.01/27	3.04/25	3.05/23	3.00/22	2.80/21			1425	3	8021
6248	6035	5814	5581	5332	5058	4744	4360	3798			1440	3	8105
2.77/30	2.88/30	2.96/29	3.04/29	3.10/28	3.14/26	3.15/24	3.11/23	2.97/22					

Performance certified is for installation type B - free inlet, ducted outlet.  
 Power Ratings (BHP) does not include drive losses.  
 Performance ratings do not include the effects of appurtenances in the airstream.

The sound ratings shown are loudness values in fan sones @ 5' (1.5m) in a hemispherical free field calculated per AMCA Standard 301. Values shown are for installation type A - free inlet fan sone levels.

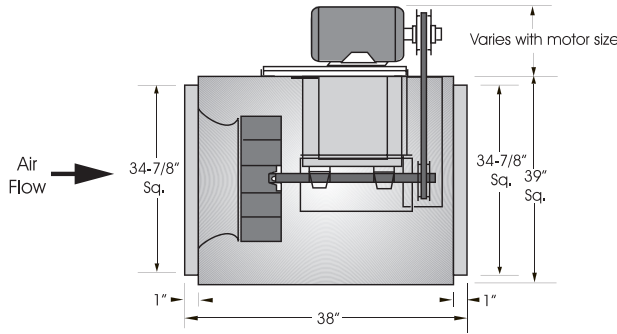


JencoFan, Div. of Soler & Palau Ventilation Group, certifies that the Models SQB shown herein are licensed to bear the AMCA Seal. The ratings shown are based on test and procedures performed in accordance with AMCA Publication 211 and AMCA Publication 311 and comply with the requirement of the AMCA Certified Ratings Program.





SQB 24



Outlet Velocity = CFM x 0.11
Tip Speed = RPM x 6.48
Maximum Motor Frame Size = 215T
Maximum RPM = 1235
Maximum BHP at a Given RPM = (RPM/711)^3

Unit Specifications
Housing Metal Thickness = 18 GA.
Approximate Weight = 320 lbs.

Table with columns for CFM / BHP @ Static Pressure / Sones (1/8 to 2-1/4), Drive Range (DP 59-65), RPM, HP, and Tip Speed. Rows list performance data for various fan models.

Performance certified is for installation type B - free inlet, ducted outlet. Power Ratings (BHP) does not include drive losses. Performance ratings do not include the effects of appurtenances in the airstream.

The sound ratings shown are loudness values in fan sones @ 5' (1.5m) in a hemispherical free field calculated per AMCA Standard 301. Values shown are for installation type A - free inlet fan sone levels.



JencoFan, Div. of Soler & Palau Ventilation Group, certifies that the Models SQB shown herein are licensed to bear the AMCA Seal. The ratings shown are based on test and procedures performed in accordance with AMCA Publication 211 and AMCA Publication 311 and comply with the requirement of the AMCA Certified Ratings Program.

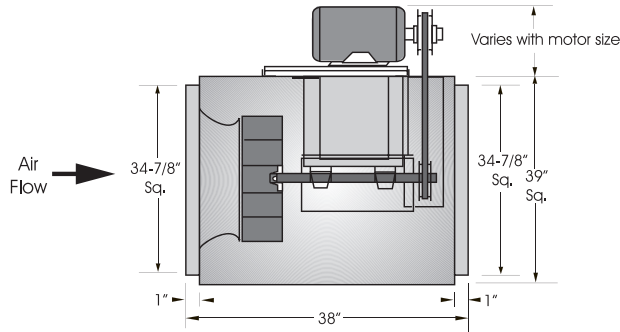




# MODEL SQB

## BELT DRIVE SQUARE INLINE CENTRIFUGAL DUCT FAN

### SQBHP 24



Outlet Velocity = CFM x 0.11  
 Tip Speed = RPM x 6.48  
 Maximum Motor Frame Size = 215T  
 Maximum RPM = 1515  
 Maximum BHP at a Given RPM = (RPM/774)<sup>3</sup>

#### Unit Specifications

Housing Metal Thickness = 18 GA.  
 Approximate Weight = 320 lbs.

CFM / BHP @ Static Pressure / Sones											Drive Range	RPM	HP	Tip Speed	
3/4	1	1-1/4	1-1/2	1-3/4	2	2-1/4	2-1/2	2-3/4	3	3-1/4					3-1/2
4251	3195	-	-	-	-	-	-	-	-	-	-	DP 66	765	1	4957
.99/12.0	.91/10.4	-	-	-	-	-	-	-	-	-	-				
4474	3589	-	-	-	-	-	-	-	-	-	-	DP 67	785	1	5086
1.07/12.8	1.03/11.7	-	-	-	-	-	-	-	-	-	-				
4794	4054	-	-	-	-	-	-	-	-	-	-	DP 68	815	1-1/2	5281
1.19/14.0	1.18/12.8	-	-	-	-	-	-	-	-	-	-				
5251	4635	3676	-	-	-	-	-	-	-	-	-	DP 69	860	1-1/2	5572
1.38/15.8	1.40/14.7	1.31/13.2	-	-	-	-	-	-	-	-	-				
5641	5095	4370	-	-	-	-	-	-	-	-	-	DP 69	900	1-1/2	5832
1.56/17.5	1.61/16.4	1.58/15.3	-	-	-	-	-	-	-	-	-				
5973	5472	4853	3868	-	-	-	-	-	-	-	-	DP 69	935	2	6058
1.74/19.1	1.79/18.0	1.80/16.8	1.66/15.1	-	-	-	-	-	-	-	-				
6159	5680	5103	4281	-	-	-	-	-	-	-	-	DP 69	955	2	6188
1.84/20	1.90/18.9	1.92/17.8	1.84/16.7	-	-	-	-	-	-	-	-				
6481	6034	5515	4848	3558	-	-	-	-	-	-	-	DP 69	990	2	6415
2.03/22	2.10/20	2.14/19.4	2.11/18.4	1.81/15.6	-	-	-	-	-	-	-				
6887	6473	6008	5453	4687	-	-	-	-	-	-	-	DP 69	1035	3	6706
2.29/24	2.38/23	2.44/21	2.44/20	2.35/19.5	-	-	-	-	-	-	-				
7331	6947	6527	6047	5458	4589	-	-	-	-	-	-	DP 69	1085	3	7030
2.61/26	2.71/25	2.78/24	2.82/23	2.79/22	2.62/20	-	-	-	-	-	-				
7725	7364	6974	6542	6039	5400	4319	-	-	-	-	-	DP 69	1130	3	7322
2.92/27	3.03/27	3.11/25	3.17/24	3.18/23	3.11/23	2.80/20	-	-	-	-	-				
7985	7637	7265	6857	6395	5836	5059	-	-	-	-	-	DP 70	1160	5	7516
3.14/28	3.25/28	3.35/27	3.42/26	3.45/25	3.41/24	3.25/23	-	-	-	-	-				
8330	7997	7645	7265	6844	6357	5750	4815	-	-	-	-	DP 70	1200	5	7775
3.45/30	3.57/30	3.68/28	3.76/27	3.81/26	3.81/25	3.73/25	3.45/22	-	-	-	-				
8671	8352	8018	7660	7272	6835	6321	5654	4413	-	-	-	DP 70	1240	5	8035
3.77/31	3.91/31	4.02/30	4.11/29	4.18/28	4.21/27	4.18/26	4.05/25	3.54/22	-	-	-				
8968	8660	8339	7999	7633	7230	6770	6213	5440	-	-	-	DP 70	1275	5	8261
4.08/33	4.22/33	4.34/32	4.44/31	4.52/30	4.57/29	4.57/28	4.50/27	4.27/26	-	-	-				
9179	8878	8566	8237	7885	7502	7072	6567	5921	4817	-	-	DP 70	1300	5	8423
4.30/34	4.45/34	4.58/33	4.69/32	4.77/31	4.83/30	4.85/29	4.81/28	4.66/27	4.19/25	-	-				
9431	9139	8836	8519	8183	7820	7419	6962	6408	5645	-	-	DP 70	1330	5	8618
4.59/35	4.74/35	4.87/34	4.99/33	5.09/32	5.16/31	5.19/31	5.18/30	5.09/29	4.84/27	-	-				
9891	9613	9326	9028	8715	8382	8023	7626	7174	6630	5891	-	DP 71	1385	7 1/2	8974
5.14/37	5.30/37	5.44/37	5.58/36	5.69/35	5.78/34	5.84/33	5.86/32	5.84/32	5.74/31	5.47/29	-				
10223	9954	9678	9392	9094	8779	8443	8078	7673	7207	6637	5829	DP 71	1425	7 1/2	9233
5.56/39	5.73/39	5.89/39	6.03/38	6.15/37	6.25/36	6.33/35	6.38/34	6.38/34	6.34/33	6.19/32	5.84/30				
10513	10251	9984	9707	9420	9119	8800	8458	8084	7665	7176	6562	DP 71	1460	7 1/2	9460
5.96/41	6.13/41	6.29/41	6.44/40	6.57/39	6.68/38	6.77/37	6.84/36	6.87/36	6.85/35	6.77/34	6.57/33				
10760	10505	10244	9975	9697	9406	9100	8774	8422	8034	7593	7068	DP 71	1490	7 1/2	9564
6.31/42	6.49/42	6.66/42	6.81/42	6.95/41	7.07/40	7.17/39	7.25/38	7.29/37	7.30/36	7.25/36	7.12/35				
10996	10716	10460	10197	9925	9642	9346	9032	8696	8329	7919	7445	DP 71	1515	7 1/2	9816
6.61/43	6.80/43	6.97/43	7.13/43	7.27/42	7.40/41	7.51/40	7.59/40	7.65/39	7.68/38	7.65/37	7.56/36				

Performance certified is for installation type B - free inlet, ducted outlet.  
 Power Ratings (BHP) does not include drive losses.  
 Performance ratings do not include the effects of appurtenances in the airstream.

The sound ratings shown are loudness values in fan sones @ 5' (1.5m) in a hemispherical free field calculated per AMCA Standard 301. Values shown are for installation type A - free inlet fan sone levels.

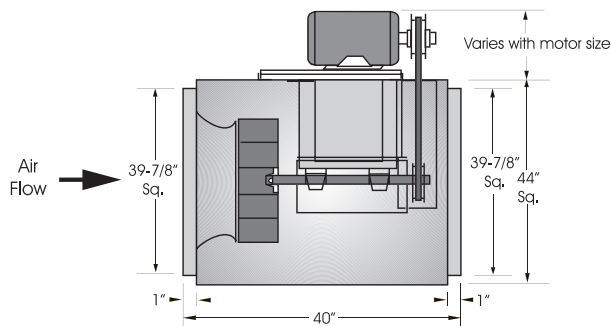


JencoFan, Div. of Soler & Palau Ventilation Group, certifies that the Models SQB shown herein are licensed to bear the AMCA Seal. The ratings shown are based on test and procedures performed in accordance with AMCA Publication 211 and AMCA Publication 311 and comply with the requirement of the AMCA Certified Ratings Program.





SQB 30



Outlet Velocity = CFM x 0.09
Tip Speed = RPM x 8.017
Maximum Motor Frame Size = 215T
Maximum RPM = 1000
Maximum BHP at a Given RPM = (RPM/510)³

Unit Specifications
Housing Metal Thickness = 16 GA.
Approximate Weight = 420 lbs.

Table with columns for CFM / BHP @ Static Pressure / Sones (1/8 to 2-1/4) and Drive Range (DP 72 to DP 78) with corresponding RPM, HP, and Tip Speed values.

Performance certified is for installation type B - free inlet, ducted outlet.
Power Ratings (BHP) does not include drive losses.
Performance ratings do not include the effects of appurtenances in the airstream.

The sound ratings shown are loudness values in fan sones @ 5' (1.5m) in a hemispherical free field calculated per AMCA Standard 301. Values shown are for installation type A - free inlet fan sone levels.

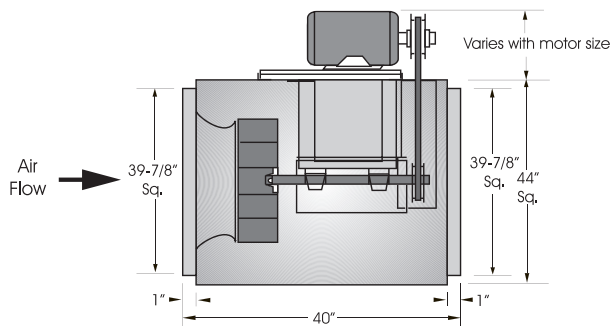


JencoFan, Div. of Soler & Palau Ventilation Group, certifies that the Models SQB shown herein are licensed to bear the AMCA Seal. The ratings shown are based on test and procedures performed in accordance with AMCA Publication 211 and AMCA Publication 311 and comply with the requirement of the AMCA Certified Ratings Program.





SQBHP 30



Outlet Velocity = CFM x 0.09
Tip Speed = RPM x 8.017
Maximum Motor Frame Size = 215T
Maximum RPM = 1120
Maximum BHP at a Given RPM = (RPM/572)³

Unit Specifications
Housing Metal Thickness = 16 GA.
Approximate Weight = 420 lbs.

Table with columns for CFM / BHP @ Static Pressure / Sones (3/4, 1, 1-1/4, 1-1/2, 1-3/4, 2, 2-1/4, 2-1/2, 2-3/4, 3, 3-1/4, 3-1/2), Drive Range (DP 79, DP 80, DP 81, DP 82, DP 83), RPM, HP, and Tip Speed. Rows list various motor frame sizes and their corresponding performance metrics.

Performance certified is for installation type B - free inlet, ducted outlet.
Power Ratings (BHP) does not include drive losses.
Performance ratings do not include the effects of appurtenances in the airstream.

The sound ratings shown are loudness values in fan sones @ 5' (1.5m) in a hemispherical free field calculated per AMCA Standard 301. Values shown are for installation type A - free inlet fan sone levels.

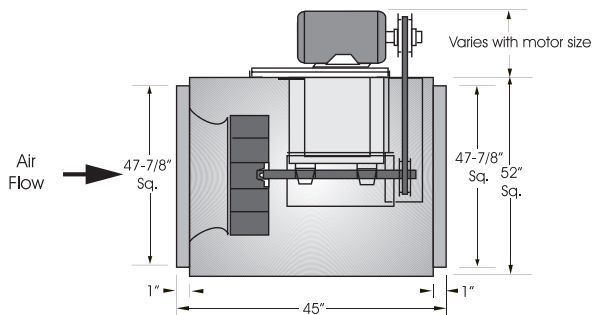


JencoFan, Div. of Soler & Palau Ventilation Group, certifies that the Models SQB shown herein are licensed to bear the AMCA Seal. The ratings shown are based on test and procedures performed in accordance with AMCA Publication 211 and AMCA Publication 311 and comply with the requirement of the AMCA Certified Ratings Program.





# SQB 36



Outlet Velocity = CFM x 0.06  
 Tip Speed = RPM x 9.344  
 Maximum Motor Frame Size = 215T  
 Maximum RPM = 725  
 Maximum BHP at a Given RPM = (RPM/375)<sup>3</sup>

**Unit Specifications**  
 Housing Metal Thickness = 16 GA.  
 Approximate Weight = 600 lbs.

CFM / BHP @ Static Pressure / Sones												Drive Range	RPM	HP	Tip Speed	
1/8	1/4	3/8	1/2	5/8	3/4	1	1-1/4	1-1/2	1-3/4	2						
7846 .62/6.5	6921 .65/6.0	5189 .60/5.9	-	-	-	-	-	-	-	-	-	DP 84	DP 85	325	1	3031
8564 .76/7.5	7767 .81/7.0	6594 .80/6.6	-	-	-	-	-	-	-	-	-					
9270 .93/8.5	8565 .98/8.0	7632 1.00/7.5	5970 .93/7.5	-	-	-	-	-	-	-	-	DP 88	DP 89	375	1	3497
9970 1.11/9.6	9335 1.18/9.1	8545 1.21/8.6	7421 1.20/8.3	-	-	-	-	-	-	-	-					
10663 1.33/10.8	10083 1.40/10.2	9392 1.44/9.7	8500 1.46/9.2	7081 1.38/9.2	-	-	-	-	-	-	-	DP 89	DP 89	425	1-1/2	3964
11351 1.57/12.1	10817 1.64/11.5	10198 1.70/11.0	9445 1.73/10.4	8428 1.71/10.1	6431 1.50/10.1	-	-	-	-	-	-					
12035 1.83/13.5	11540 1.91/12.8	10978 1.98/12.2	10318 2.02/11.7	9496 2.03/11.2	8325 1.97/11.2	-	-	-	-	-	-	DP 89	DP 89	475	2	4430
12717 2.13/14.8	12254 2.21/14.2	11737 2.29/13.7	11147 2.34/13.1	10446 2.37/12.5	9552 2.35/12.2	-	-	-	-	-	-					
13396 2.45/16.2	12961 2.55/15.6	12482 2.63/15.0	11946 2.69/14.5	11329 2.74/14.0	10587 2.75/13.5	7996 2.48/13.5	-	-	-	-	-	DP 89	DP 89	525	3	4896
14072 2.81/17.7	13662 2.91/17.1	13215 3.00/16.5	12723 3.07/16.0	12168 3.13/15.4	11526 3.16/15.0	9697 3.06/14.7	-	-	-	-	-					
14747 3.20/19.2	14358 3.31/18.6	13939 3.40/18.1	13482 3.48/17.5	12977 3.55/17.0	12407 3.59/16.5	10925 3.57/15.8	7295 2.90/15.9	-	-	-	-	DP 89	DP 89	575	5	5363
15420 3.62/21	15051 3.74/20	14655 3.84/19.6	14229 3.93/19.1	13764 4.01/18.6	13248 4.06/18.1	11979 4.09/17.1	9946 3.87/17.2	-	-	-	-					
16091 4.09/22	15740 4.20/22	15366 4.31/21	14965 4.41/21	14533 4.50/20	14060 4.56/19.7	12940 4.63/18.7	11369 4.54/18.5	-	-	-	-	DP 89	DP 89	625	5	5829
16762 4.59/24	16426 4.71/23	16070 4.82/23	15693 4.93/22	15288 5.02/22	14851 5.10/21	13841 5.20/20	12528 5.18/19.6	10378 4.83/19.8	-	-	-					
17431 5.12/25	17109 5.25/25	16771 5.38/24	16413 5.49/24	16032 5.59/23	15625 5.68/23	14702 5.80/22	13559 5.83/21	11952 5.66/21	-	-	-	DP 89	DP 89	675	7 1/2	6295
18100 5.70/27	17791 5.84/26	17467 5.97/26	17127 6.09/25	16768 6.19/25	16385 6.29/24	15533 6.44/23	14512 6.51/22	13188 6.44/22	11047 5.99/22	-	-					
18767 6.33/28	18471 6.47/28	18161 6.60/27	17836 6.73/27	17495 6.84/26	17134 6.95/26	16341 7.12/25	15414 7.22/24	14271 7.21/23	12685 6.98/23	8266 5.39/23	-	DP 89	DP 89	725	7 1/2	6762

Performance certified is for installation type B - free inlet, ducted outlet.  
 Power Ratings (BHP) does not include drive losses.  
 Performance ratings do not include the effects of appurtenances in the airstream.

The sound ratings shown are loudness values in fan sones @ 5' (1.5m) in a hemispherical free field calculated per AMCA Standard 301. Values shown are for installation type A - free inlet fan sone levels.



JencoFan, Div. of Soler & Palau Ventilation Group, certifies that the Models SQB shown herein are licensed to bear the AMCA Seal. The ratings shown are based on test and procedures performed in accordance with AMCA Publication 211 and AMCA Publication 311 and comply with the requirement of the AMCA Certified Ratings Program.

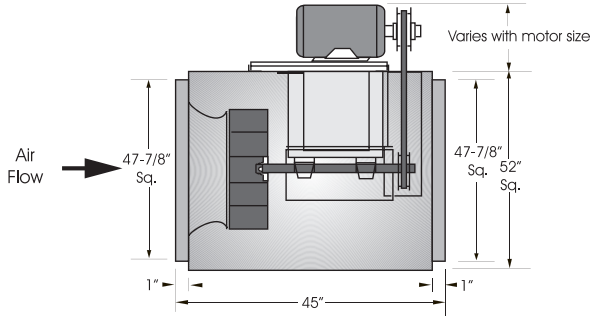




**MODEL SQB**

**BELT DRIVE SQUARE INLINE CENTRIFUGAL DUCT FAN**

**SQBHP 36**



**Outlet Velocity = CFM x 0.06**  
**Tip Speed = RPM x 9.344**  
**Maximum Motor Frame Size = 215T**  
**Maximum RPM = 840**  
**Maximum BHP at a Given RPM = (RPM/426)<sup>3</sup>**

**Unit Specifications**

**Housing Metal Thickness = 16 GA.**  
**Approximate Weight = 600 lbs.**

CFM / BHP @ Static Pressure / Sones								Drive Range	RPM	HP	Tip Speed
3/4	1	1-1/4	1-1/2	1-3/4	2	2-1/4	2-1/2				
5958	-	-	-	-	-	-	-	DP 91	475	1-1/2	4430
1.32/10.3	-	-	-	-	-	-	-				
6880	-	-	-	-	-	-	-	DP 92	495	1-1/2	4617
1.55/11.2	-	-	-	-	-	-	-				
7969	-	-	-	-	-	-	-	DP 93	525	2	4896
1.87/12.7	-	-	-	-	-	-	-				
8761	6961	-	-	-	-	-	-	DP 94	550	2	5130
2.15/14.0	2.05/13.4	-	-	-	-	-	-				
9495	8081	-	-	-	-	-	-	DP 95	575	3	5363
2.44/15.3	2.43/14.6	-	-	-	-	-	-				
10192	8992	6855	-	-	-	-	-	DP 96	600	3	5596
2.75/16.7	2.79/16.0	2.53/15.6	-	-	-	-	-				
10863	9806	8278	-	-	-	-	-	DP 97	625	3	5829
3.08/18.2	3.15/17.5	3.07/16.8	-	-	-	-	-				
11514	10561	9310	6845	-	-	-	-	DP 98	650	5	6062
3.43/19.5	3.53/18.8	3.53/18.2	3.06/18.0	-	-	-	-				
12150	11276	10195	8598	-	-	-	-	DP 99	675	5	6295
3.81/21	3.93/20	3.97/19.6	3.81/19.1	-	-	-	-				
12773	11964	11001	9728	7136	-	-	-	DP 100	700	5	6529
4.21/22	4.35/22	4.43/21	4.37/20	3.74/20	-	-	-				
13386	12631	11756	10671	9070	-	-	-	DP 101	725	5	6762
4.64/24	4.80/23	4.91/22	4.91/22	4.68/21	-	-	-				
13508	12762	11903	10847	9334	-	-	-	DP 102	730	5	6808
4.73/24	4.89/23	5.00/23	5.02/22	4.82/22	-	-	-				
13750	13023	12192	11188	9817	-	-	-	DP 103	740	5	6902
4.91/24	5.08/24	5.20/23	5.24/23	5.10/22	-	-	-				
14589	13918	13169	12304	11235	9693	-	-	DP 104	775	7 1/2	7228
5.58/27	5.77/26	5.92/25	6.01/25	5.99/24	5.72/24	-	-				
15181	14544	13842	13048	12108	10889	8781	-	DP 105	800	7 1/2	7461
6.10/28	6.30/27	6.47/27	6.58/26	6.62/26	6.49/25	5.86/25	-				
15768	15160	14499	13763	12915	11881	10442	-	DP 106	825	7 1/2	7694
6.64/30	6.86/29	7.04/28	7.18/28	7.26/27	7.22/27	6.93/26	-				
16117	15526	14887	14180	13378	12422	11174	8932	DP 107	840	7 1/2	7834
6.98/31	7.21/30	7.40/29	7.56/29	7.65/28	7.65/28	7.46/27	6.65/27				

Performance certified is for installation type B - free inlet, ducted outlet.  
 Power Ratings (BHP) does not include drive losses.  
 Performance ratings do not include the effects of appurtenances in the airstream.

The sound ratings shown are loudness values in fan sones @ 5' (1.5m) in a hemispherical free field calculated per AMCA Standard 301. Values shown are for installation type A - free inlet fan sone levels.

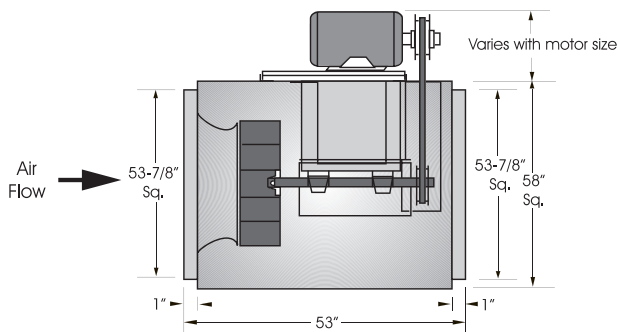


JencoFan, Div. of Soler & Palau Ventilation Group, certifies that the Models SQB shown herein are licensed to bear the AMCA Seal. The ratings shown are based on test and procedures performed in accordance with AMCA Publication 211 and AMCA Publication 311 and comply with the requirement of the AMCA Certified Ratings Program.





SQB 42



Outlet Velocity = CFM x 0.04  
 Tip Speed = RPM x 10.995  
 Maximum Motor Frame Size = 215T  
 Maximum RPM = 565  
 Maximum BHP at a Given RPM = (RPM/289)<sup>3</sup>

**Unit Specifications**  
 Housing Metal Thickness = 16 GA.  
 Approximate Weight = 725 lbs.

CFM / BHP @ Static Pressure / Sones								Drive Range	RPM	HP	Tip Speed
1/8	1/4	3/8	1/2	5/8	3/4	1	1-1/4				
11079	8897	-	-	-	-	-	-	DP 97	285	2	3134
.96/7.9	.94/8.3	-	-	-	-	-	-		310	2	3409
12360	10509	7767	-	-	-	-	-	DP 98	325	2	3574
1.23/9.6	1.23/10.2	1.13/10.9	-	-	-	-	-		350	2	3848
13114	11406	9110	-	-	-	-	-	DP 99	360	2	3958
1.41/10.4	1.42/11.1	1.36/11.7	-	-	-	-	-		365	2	4013
14353	12829	10961	8114	-	-	-	-	DP 100	375	3	4123
1.76/11.6	1.77/12.2	1.74/12.8	1.58/13.5	-	-	-	-		390	3	4288
14843	13379	11629	9169	-	-	-	-	DP 100	415	3	4563
1.91/12.1	1.93/12.6	1.91/13.3	1.78/13.9	-	-	-	-		420	3	4618
15087	13651	11953	9638	-	-	-	-	DP 100	430	5	4728
1.99/12.4	2.01/12.9	1.99/13.5	1.88/14.1	-	-	-	-		445	5	4893
15573	14190	12583	10497	6669	-	-	-	DP 100	470	5	5168
2.16/12.9	2.18/13.4	2.17/14.0	2.08/14.6	1.71/15.4	-	-	-		490	5	5388
16299	14986	13494	11656	8917	-	-	-	DP 100	495	5	5443
2.42/13.7	2.45/14.2	2.45/14.7	2.38/15.3	2.17/16.0	-	-	-		525	7 1/2	5773
17498	16287	14945	13383	11381	8066	-	-	DP 100	545	7 1/2	5993
2.91/15.1	2.95/15.5	2.96/15.9	2.92/16.5	2.80/17.2	2.42/17.8	-	-		560	7 1/2	6158
17737	16543	15228	13708	11796	8831	-	-	DP 100	565	7 1/2	6212
3.02/15.4	3.06/15.7	3.07/16.2	3.03/16.8	2.93/17.4	2.60/18.0	-	-				
18213	17054	15786	14342	12581	10091	-	-				
3.24/16.0	3.28/16.3	3.29/16.8	3.27/17.3	3.18/17.9	2.94/18.5	-	-				
18925	17813	16609	15262	13676	11618	-	-				
3.59/17.0	3.63/17.2	3.65/17.7	3.63/18.2	3.57/18.8	3.40/19.3	-	-				
20106	19064	17950	16732	15353	13703	7488	-				
4.22/18.8	4.27/19.0	4.29/19.3	4.29/19.7	4.25/20	4.15/21	3.17/22	-				
21046	20053	19001	17865	16607	15158	10870	-				
4.77/21	4.83/21	4.86/21	4.87/21	4.84/22	4.77/22	4.24/23	-				
21281	20299	19261	18144	16911	15503	11477	-				
4.92/21	4.97/21	5.01/22	5.02/22	5.00/22	4.93/23	4.46/24	-				
22683	21765	20803	19782	18680	17463	14401	8269				
5.86/24	5.92/24	5.96/24	5.99/25	5.98/25	5.94/26	5.67/27	4.39/28				
23615	22734	21816	20849	19815	18692	15997	11784				
6.55/26	6.62/26	6.66/26	6.69/27	6.70/27	6.68/28	6.48/29	5.76/30				
24312	23457	22569	21638	20649	19584	17095	13563				
7.11/28	7.17/28	7.22/28	7.26/28	7.27/29	7.25/30	7.10/31	6.57/32				
24544	23697	22819	21899	20924	19877	17447	14082				
7.30/28	7.36/28	7.42/28	7.45/29	7.47/30	7.45/30	7.31/31	6.83/33				

Performance certified is for installation type B - free inlet, ducted outlet.  
 Power Ratings (BHP) does not include drive losses.  
 Performance ratings do not include the effects of appurtenances in the airstream.

The sound ratings shown are loudness values in fan sones @ 5' (1.5m) in a hemispherical free field calculated per AMCA Standard 301. Values shown are for installation type A - free inlet fan sone levels.



JencoFan, Div. of Soler & Palau Ventilation Group, certifies that the Models SQB & SQD shown herein are licensed to bear the AMCA Seal. The ratings shown are based on test and procedures performed in accordance with AMCA Publication 211 and AMCA Publication 311 and comply with the requirement of the AMCA Certified Ratings Program.

